

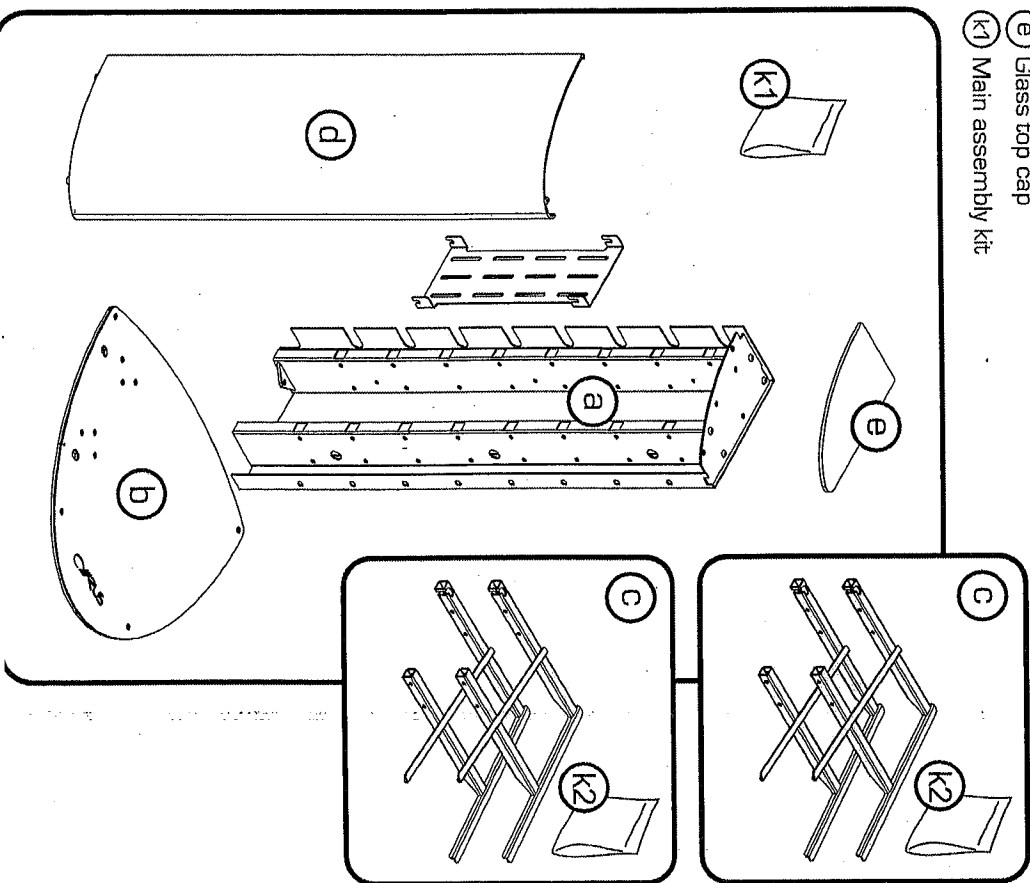


HARK<sup>2</sup>

### Assembly Instructions

#### What's in the box






- a) Main mast incorporating power block mounting plate
- b) Base assembly
- c) Shelf kit containing one pair of shelves and shelf fixing kit (k2)
- d) Aluminium side trim
- e) Glass top cap
- k1) Main assembly kit



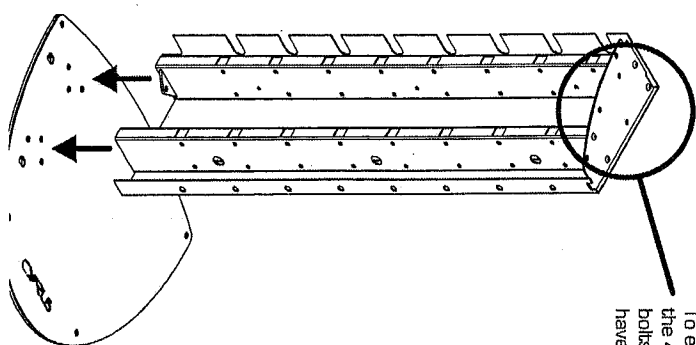
#### Please read these notes first:

- Read these instructions carefully before installing your equipment.
- Install the rack in a suitable location on a flat, horizontal surface.
- Do not attempt to alter or modify any part of the rack or its attachments.
- Do not use if any parts are broken or appear to be damaged.
- Tighten all bolts and fixings securely. Only use fixings provided with this rack.
- Do not mount your equipment near to sources of heat or moisture.
- Always have a minimum of two persons to assemble the rack to avoid damage or personal injury.
- Clean the rack only with a soft, damp cloth. Do not use chemical or spirit cleaners

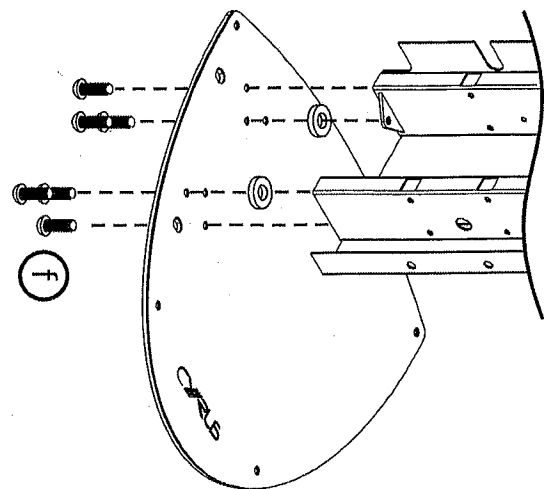
#### k1) Main Assembly kit

- |  |  |  |  |  |
|--|--|--|--|--|
|  |  |  |  |  |
| M8 x 20mm<br>FO165<br>x8   | 6mm Spacer<br>FO201<br>x2  | M8 Spike<br>MAZ0143<br>x4  | M8 Lock Nut<br>MAZ0143<br>x4   | Lock Nut Spanner<br>AM0299<br>x1   |

Attach main mast to base assembly

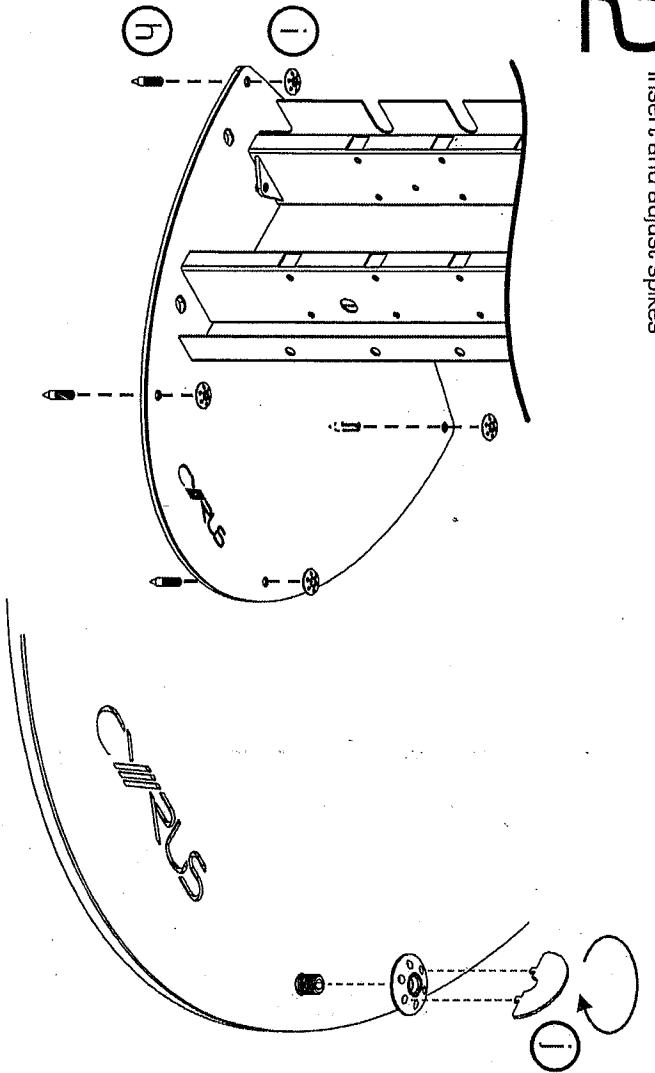


**NOTE:**  
To ease the fitting of the base, slightly loosen the 4 pre-assembled top screws whilst locating bolts *f*. Make sure you tighten these once you have successfully fitted the base.



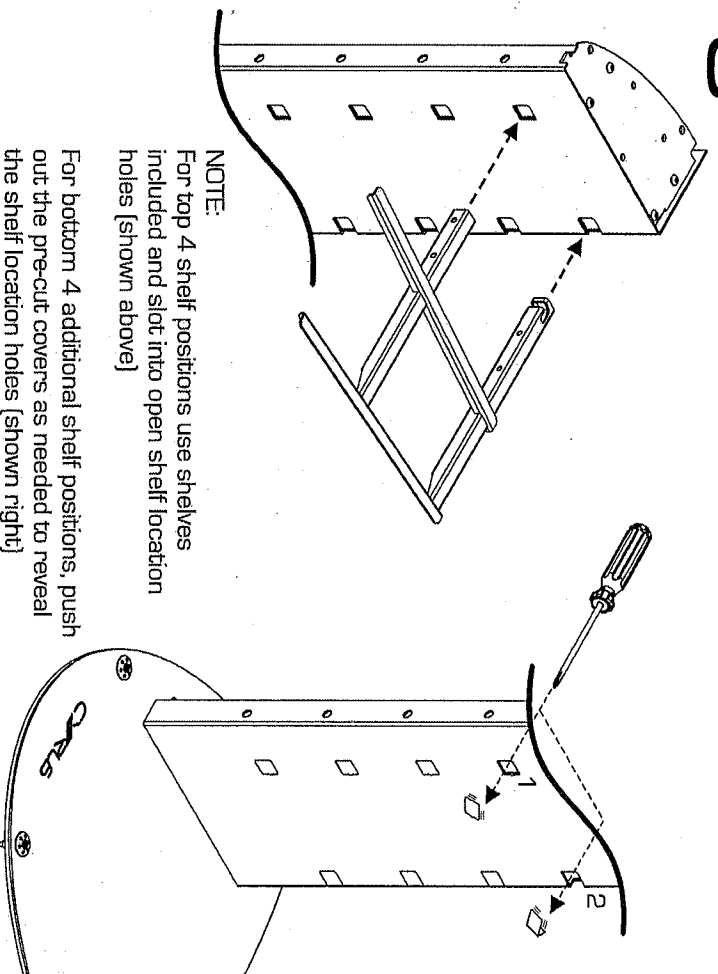
# 2

Insert and adjust spikes



# 3

Insert Shelves



NOTE:

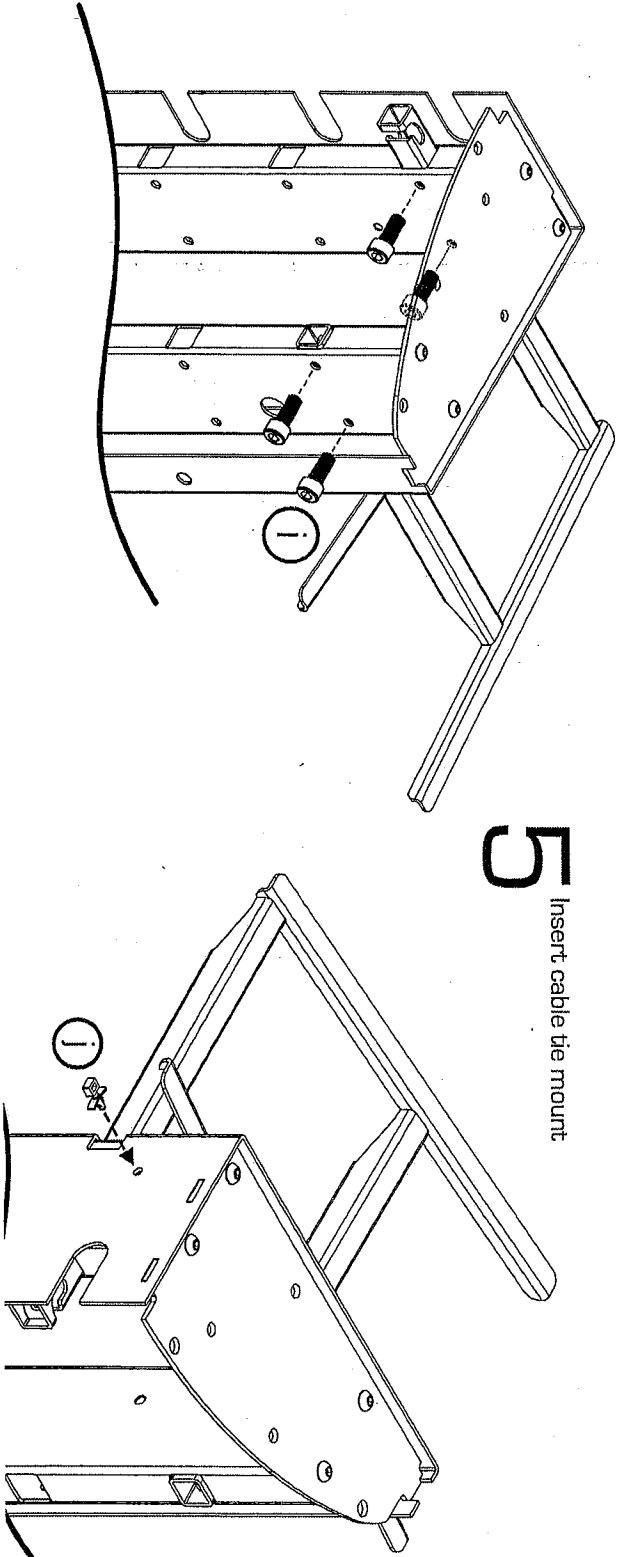
For top 4 shelf positions use shelves included and slot into open shelf location holes [shown above]

For bottom 4 additional shelf positions, push out the pre-cut covers as needed to reveal the shelf location holes [shown right]

# 4

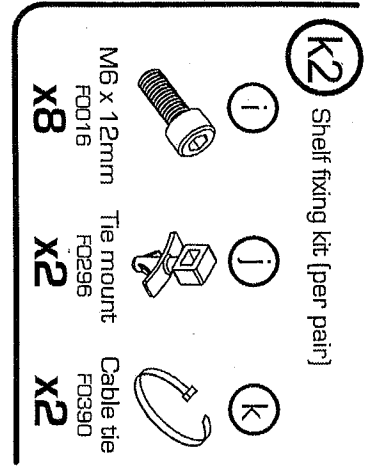
Secure shelves

NOTE:  
Repeat fixing as shown right for all shelves



# 5

Insert cable tie mount



(k2) Shelf fixing kit (per pair)

(i)



M6 x 12mm  
FO016  
x8

(i)



Tie mount  
FO296  
x2

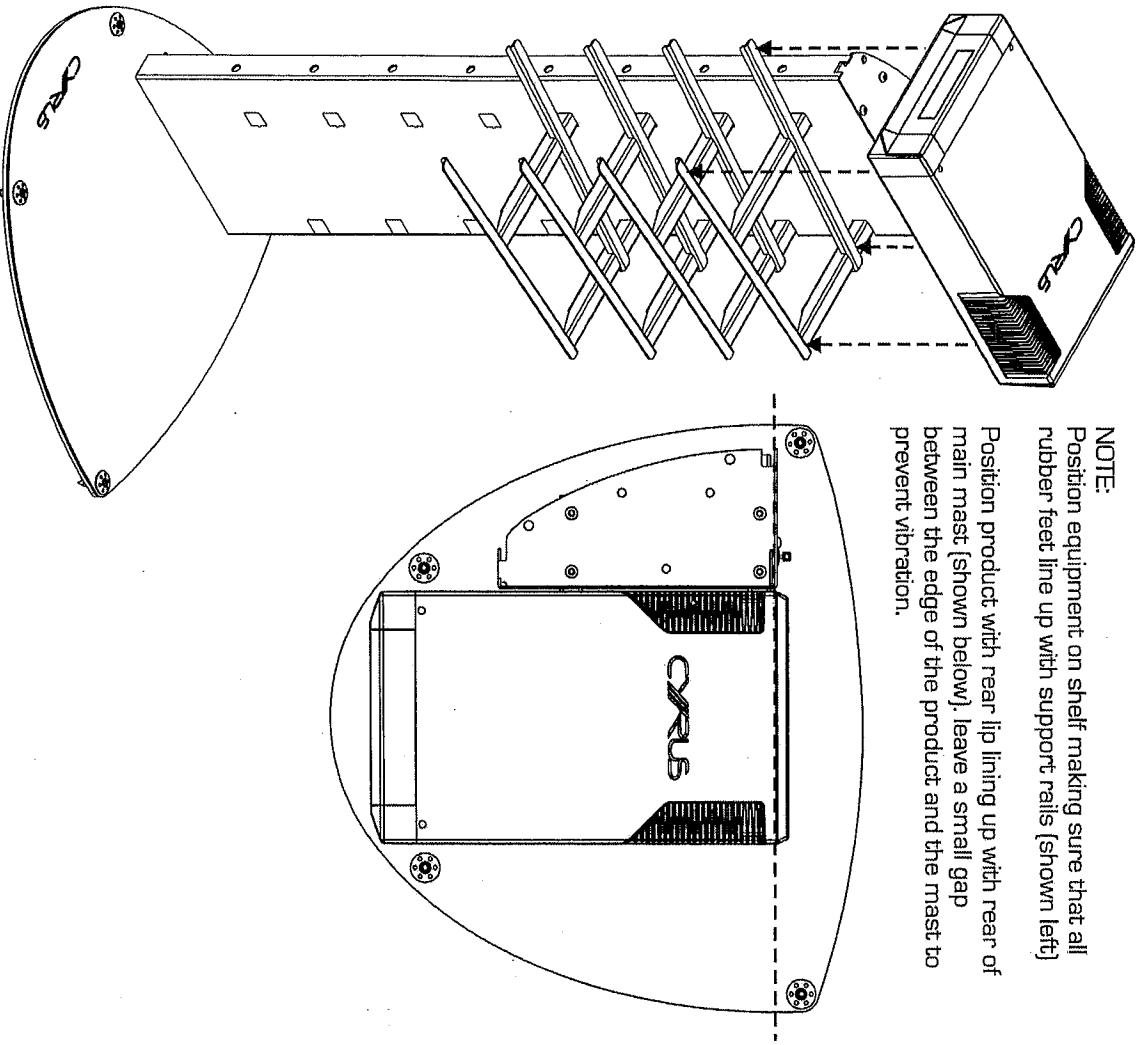
(k)



Cable tie  
FO390  
x2

# 6

Position Equipment on shelves



**NOTE:**

Position equipment on shelf making sure that all rubber feet line up with support rails (shown left)

Position product with rear lip lining up with rear of main mast (shown below). Leave a small gap between the edge of the product and the mast to prevent vibration.

# 7

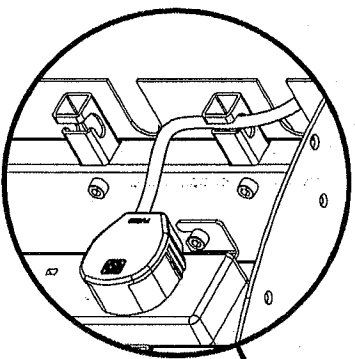
Cable management

**NOTE:**  
Attach power block to power block mounting plate using fixings which are appropriate to the design of the power block (right). Then re-mount the power block plate into the main mast using the 4 pre-installed fixings.



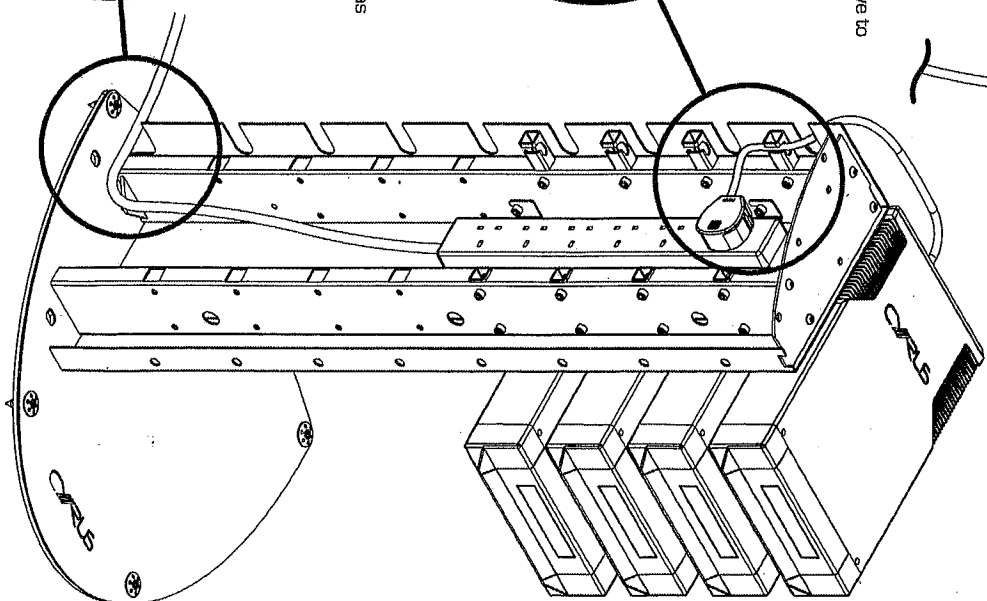
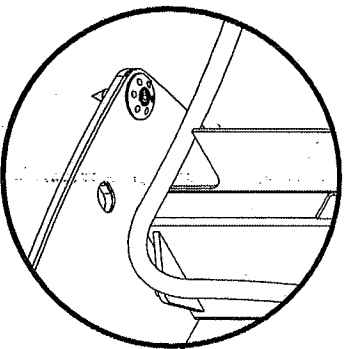
**NOTE:**

Thread cable through hooks as shown above to tidy install and prevent pulling



**NOTE:**

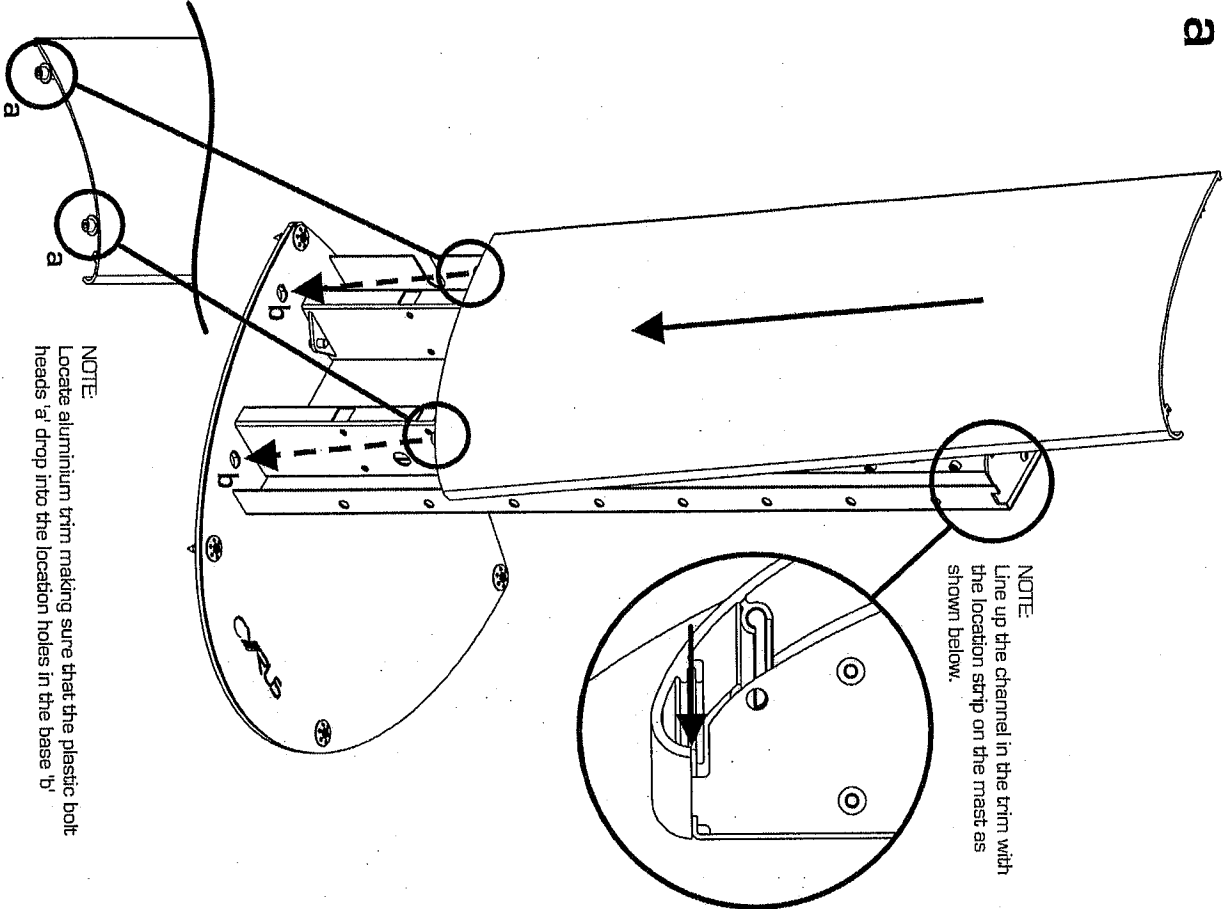
Dress power cable through bottom hole as shown above.



# 8

Add aluminium side trim to main mast

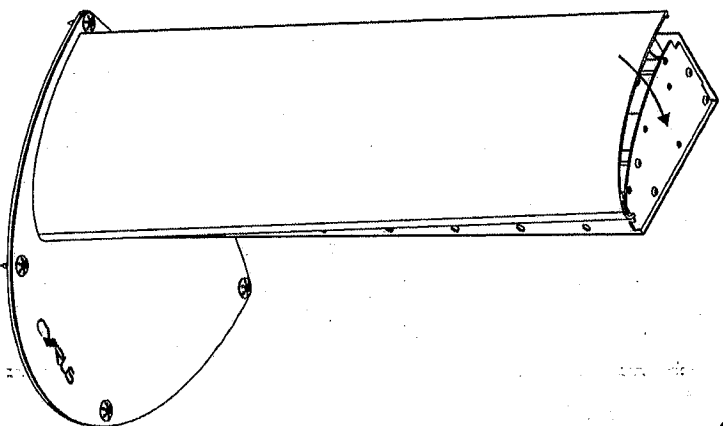
NOTE:  
Parts have been removed from this view for clarity. All your shelves, equipment and power cables must be in place before adding the trim parts.



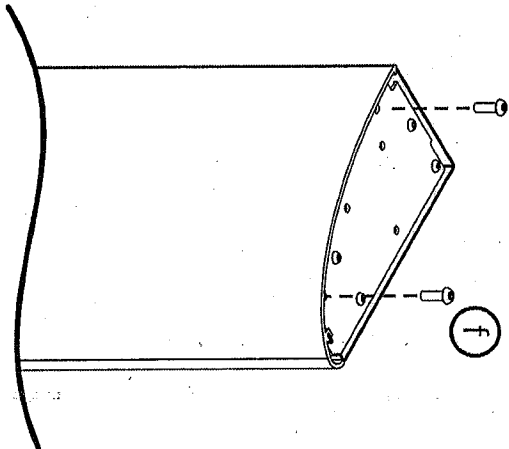
NOTE  
Line up the channel in the trim with the location strip on the mast as shown below.

NOTE:  
Locate aluminium trim making sure that the plastic bolt heads 'a' drop into the location holes in the base 'b'

# b



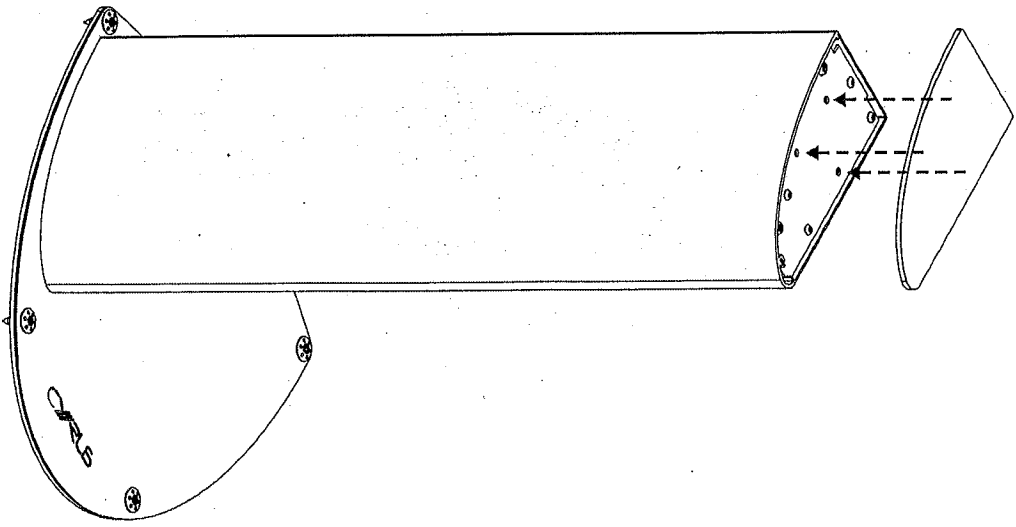
# c



# 9

Add glass top cap to main mast

NOTE:  
Push glass trim onto top of main mast with rubber prongs locating into the three corresponding holes. The glass trim can be pushed down firmly until it bottoms out on the main mast.



NOTE:  
To service the rack, power block, add more equipment or gain access to the inside of the mast for any other reason, reverse steps 8 to 9.