

Cleaning and maintenance

The cabinets of your speakers should be cleaned gently with a dry, lint-free cloth. Never use polish, cleaning fluid or abrasives to clean the cabinets.

The grilles may be cleaned with a clean, soft paintbrush or similar. Never use a vacuum cleaner to clean the grilles.

Specifications

Nominal Impedance 8 Ω

Sensitivity 86 dB

Recommended amplifier power 20-120 W

Weight 16 kg (per pair)

Made in China

Cyrus reserves the right to change all specifications without notice. E & OE



Disposal



This logo means that this product is not to be disposed of with your household waste. This product should be handed over to a designated collection point to be recycled. Your cooperation in the correct disposal of this product will contribute to the effective usage of natural resources. For more information on collection points, contact your disposal service or local government administration.

Warranty

The warranty period is two year. No Retailer or Distributor may vary the terms of this warranty, which is personal to the original Purchaser and is not transferable.

Please retain the sales receipt as proof of purchase.

Warranty claims must wherever possible be made through the Retailer from whom the equipment was purchased.

This warranty excludes:

- Damage caused through neglect, accident, misuse, wear and tear, or through incorrect installation, adjustment or repair by unauthorised personnel. Any unauthorised servicing will result in loss of warranty.
- Liability for damage or loss occurring in transit to or from the purchaser.
- Consequential damage, loss or injury, arising from or in conjunction with this equipment.

Equipment for attention under warranty should be consigned return carriage paid. If returned equipment is found to comply with the published specification, CYRUS reserves the right to raise a charge.

The above conditions do not affect your statutory rights as a consumer.

www.cyrusaudio.com

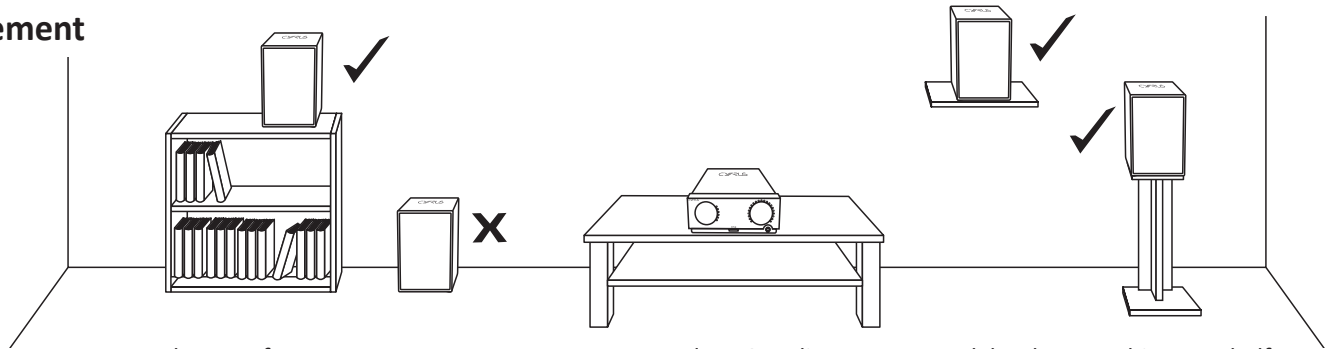
CYRUS

ONE *linear*

User guide

Compact bookshelf speakers

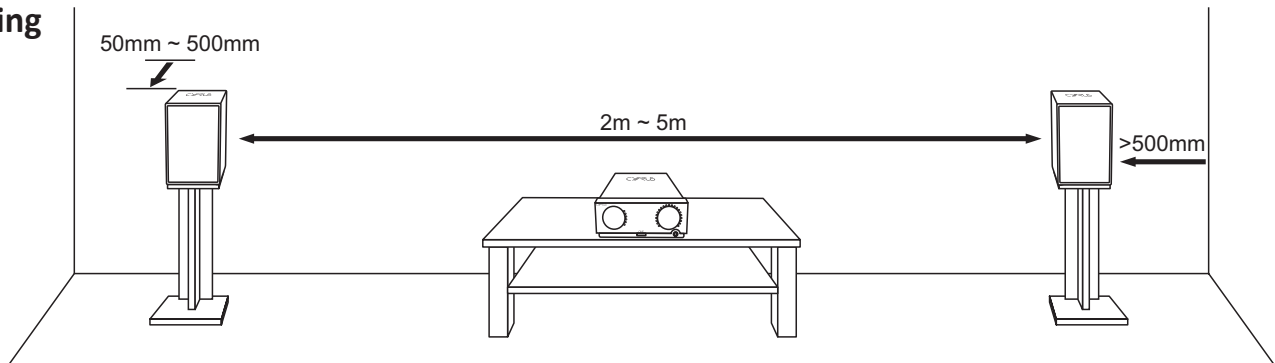
Placement



For best performance -

- Place ONE *linear* on a stand, bookcase, cabinet or shelf.
- ONE *linear* will not sound good placed on the floor.

Positioning

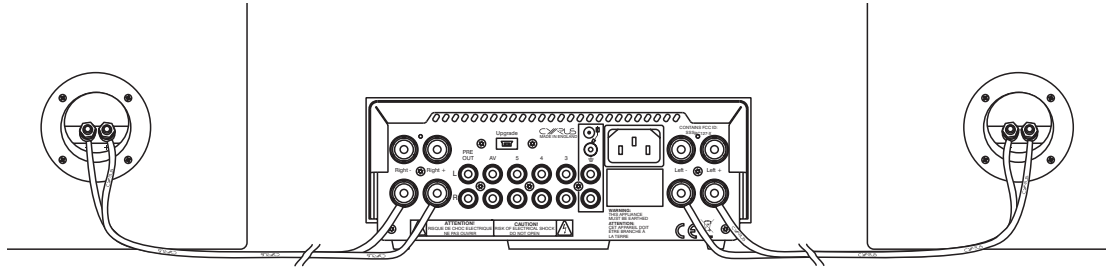


If possible, position ONE *linear* within the dimensions shown -

- 2m - 5m apart.
- 50mm - 500mm from the back wall.
- More than 500mm from a room corner.

Wiring

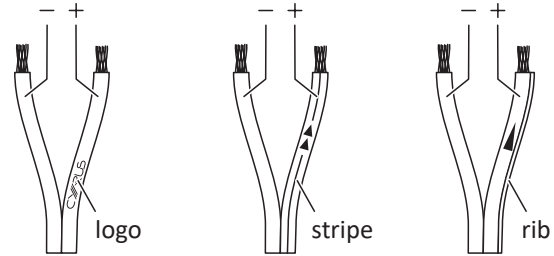
The speakers must be wired to your amplifier as shown in the diagram.



Polarity

CAUTION: Make sure that the wire with polarity marking (logo, stripe, rib etc) goes to the + terminals on both the amplifier and speakers and the plain wire goes to the - terminals.

If the cable includes a logo or arrow(s) as shown in the examples, these should be aligned to flow towards the speaker.



Connecting the cables to the terminals

1. Unscrew the knobs on the terminals.
2. Twist the wire ends together.
3. Connect the wires to the terminals, ensuring that wiring polarity is correct.
4. Tighten the knobs securely.

